



Dry Barrel Fire Hydrant RD-FM1510

General Description

A dry barrel fire hydrant is a type of fire hydrant commonly used in regions where freezing temperatures are a concern. Dry barrel hydrant is designed to automatically drain all water from its above ground components when not in use, preventing the water from freezing and causing damage to the hydrant. The hydrant's construction is robust and durable, designed to withstand exposure to the elements and resist corrosion.

During a fire emergency, firefighters can access water from the main supply by opening the main valve, allowing the water to flow into the hydrant. The hydrant's design allows multiple hoses to be connected simultaneously, providing a substantial flow of water to extinguish fires effectively.

Working Pressure

Max. Working Pressure 17.2 Bar (250 psi)

Temperature Range

-10°C to 82°C (14°F to 180°F)

Connections

Inlet:

- DN150 (6") PN16 Flange (Standard)
- DN150 (6") ANSI150 Flange (Optional)
- DN150 (6") Mechanical Joint (Optional)

Hose outlet nozzles:

- 2x DN65 (2-1/2") BSPT tapered thread (Standard)
- 2x 2-1/2"-7.5 NH thread (Optional)
- 2x 2-1/2" NPT thread (Optional)

Pump nozzle:

- DN100 (4") BSPT tapered thread (Standard)
- 4-1/2"-4 NH thread (Optional)
- 4" NPT thread (Optional)

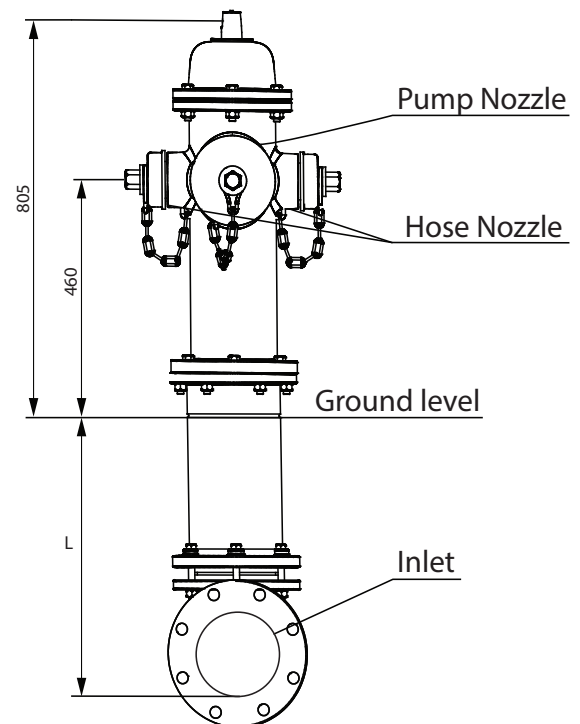
Specify connections with Rapidrop Sales team when ordering

Standards

Designed to comply with AWWA C502

Approvals

FM Approved



Dry Barrel Fire Hydrant RD-FM1510

Material Specification

Description	Material	Specification
Operating Nut	Bronze	ASTM B62 C83600
Bonnet	Cast Iron	ASTN A126 CL-B
Pumper nozzle	Bronze	ASTM B62 C83600
Pumper nozzle gasket	Rubber	ASTM D2000 BUNA N
Hose nozzle	Bronze	ASTM B62 C83600
Hose nozzle gasket	Rubber	ASTM D2000 BUNA N
Hose nozzle cap	Cast Iron	ASTM A126 CL-B
Upper Standpipe	Cast Iron	ASTM A126 CL-B
Lower Rod	Steel	ASTM A576 Gr.B
Lower Standpipe	Ductile Iron	ASTM A126 CL-B
Drain Valve Screw	Stainless Steel	ASTM A276
Drain Ring Housing	Ductile Iron	ASTM A536
Drain Ring	Bronze	ASTM B62 C83600
Seat Ring	Bronze	ASTM B62 C83600
Main Valve	Rubber	ASTM D2000 BUNA N
Elbow	Ductile Iron	ASTM A536
Valve Top Plate	Bronze	ASTM B62 C83600

Extension Kit Material Specification

Extension Kit Parts	Material	Specification
Extension Rod	Steel	ASTM A576
Extension Gasket	Rubber	BUNA N 70 Duro
Extension Flange Coupling	Ductile Iron	ASTM A536
Extension Standpipe	Cast Iron	ASTM A126 CL.B
Extension Rod Coupling	Stainless Steel	ASTM A890

Hydrant Ordering Codes

Size L		Ordering Code
inch	mm	
36"	915	RDFM1510-0915
42"	1067	RDFM1510-1067
48"	1220	RDFM1510-1220
54"	1372	RDFM1510-1372
60"	1524	RDFM1510-1524
66"	1676	RDFM1510-1676
72"	1829	RDFM1510-1829

Extension Kit Ordering Codes

Extension E		Extension Kit Ordering Code
inch	mm	
6"	150	RDFM1510-EXT150
12"	300	RDFM1510-EXT300
18"	450	RDFM1510-EXT450
24"	600	RDFM1510-EXT600

